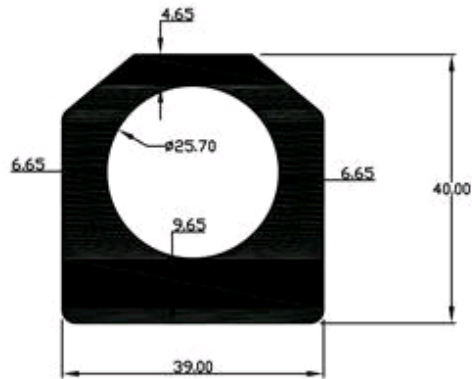


NATIONAL INDUSTRIES

15251

SEC. NO:-15251

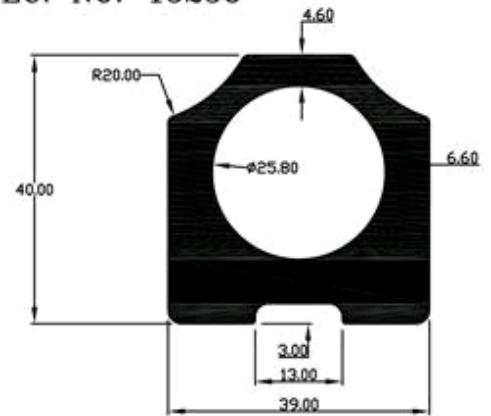


WEIGHT:- 9.325 kg/12'

DOOR CLOSER

15256

SEC. NO:-15256

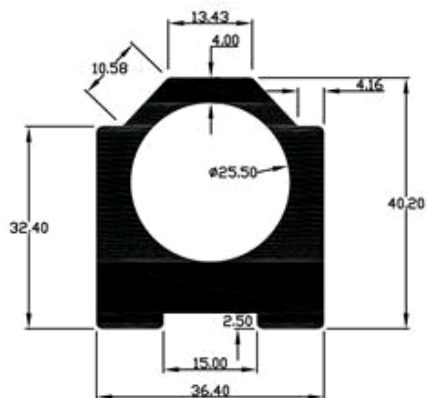


WEIGHT:- 8.530 kg/12'

DOOR CLOSER

15261

SEC. NO:-15261

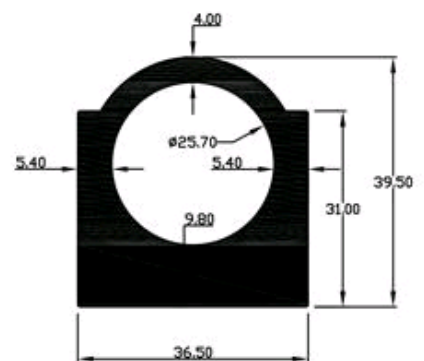


WEIGHT:- 7.823 kg/12'

DOOR CLOSER

15266

SEC. NO:-15266



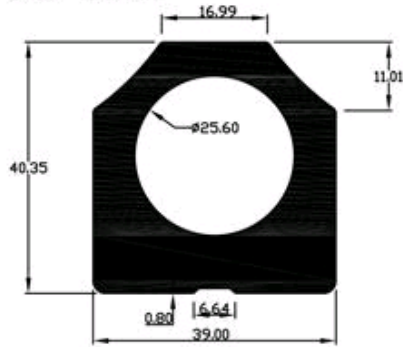
WEIGHT:- 7.800 kg/12'

DOOR CLOSER

NATIONAL INDUSTRIES

15271

SEC. NO:-15271

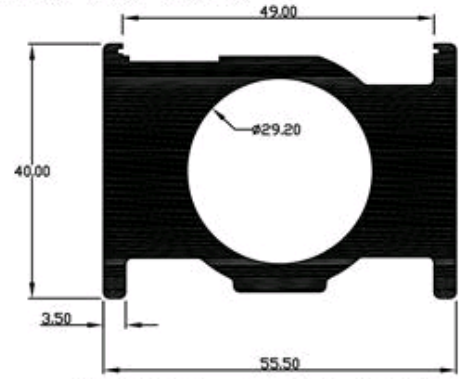


WEIGHT:- 9.088 kg/12'

DOOR CLOSER

15276

SEC. NO:-15276

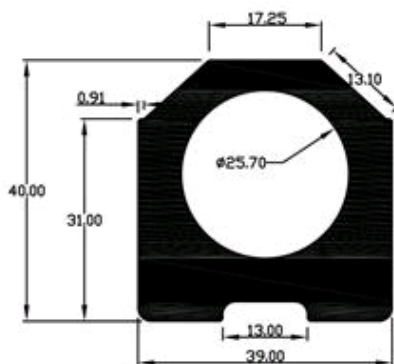


WEIGHT:- 11.493 kg/12'

DOOR CLOSER

15471

SEC. NO:-15471

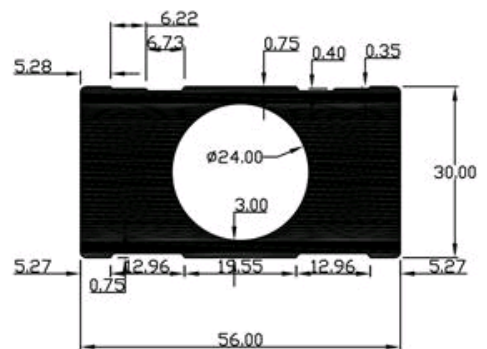


WEIGHT:- 9.325 kg/12'

DOOR CLOSER

15801

SEC. NO:-15801

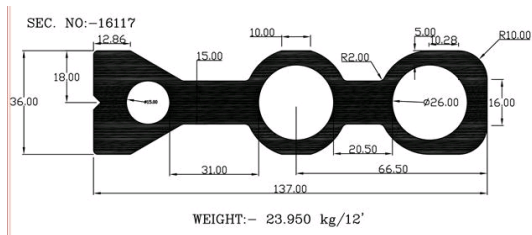


WEIGHT:- 11.800 kg/12'

DOOR CLOSER

NATIONAL INDUSTRIES

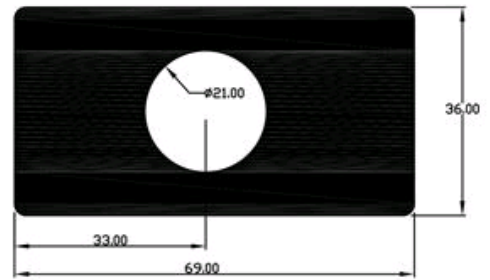
16117



DOOR CLOSER

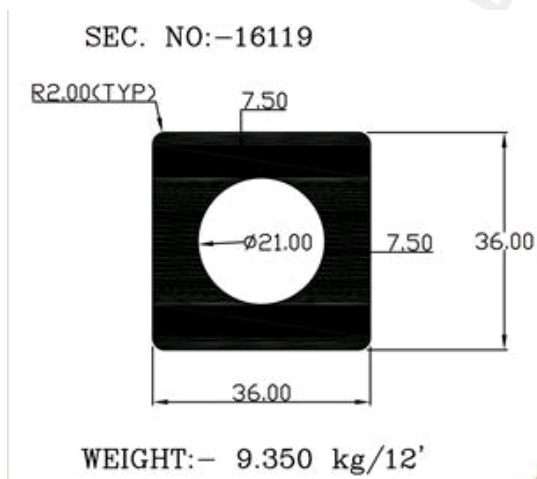
16118

SEC. NO:-16118



DOOR CLOSER

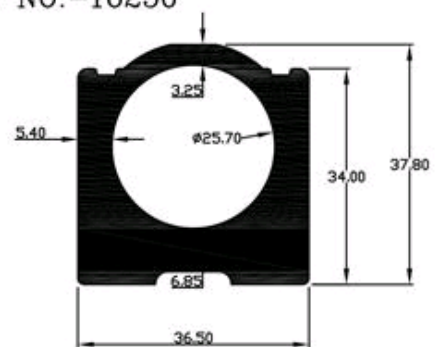
16119



DOOR CLOSER

16250

SEC. NO:-16250

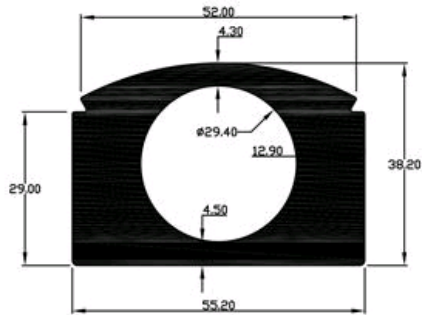


DOOR CLOSER

NATIONAL INDUSTRIES

16251

SEC. NO:-16251

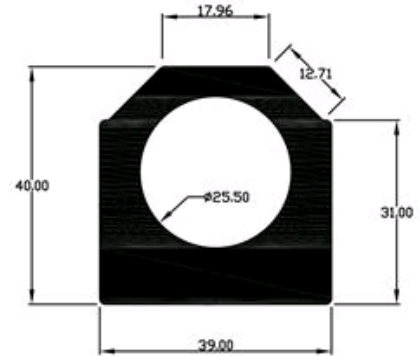


WEIGHT:- 12.713 kg/12'

DOOR CLOSER

16267

SEC. NO:-16267



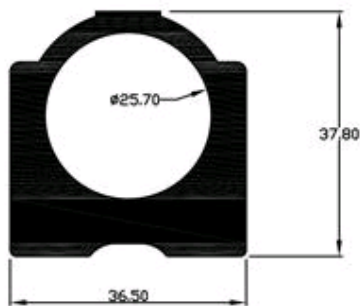
WEIGHT:- 9.293 kg/12'

DOOR CLOSER

16456

SEC. NO:-16456

N-439



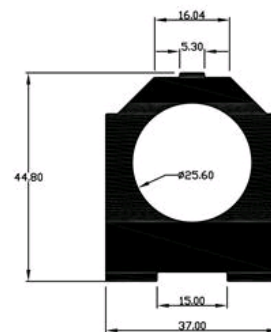
WEIGHT:- 7.000 kg/12'

DOOR CLOSER

16717

SEC. NO:-16717

IND-149



DRG.NO.:- IND-149

WEIGHT:- 9.688 kg/12'

DOOR CLOSER